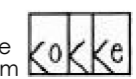


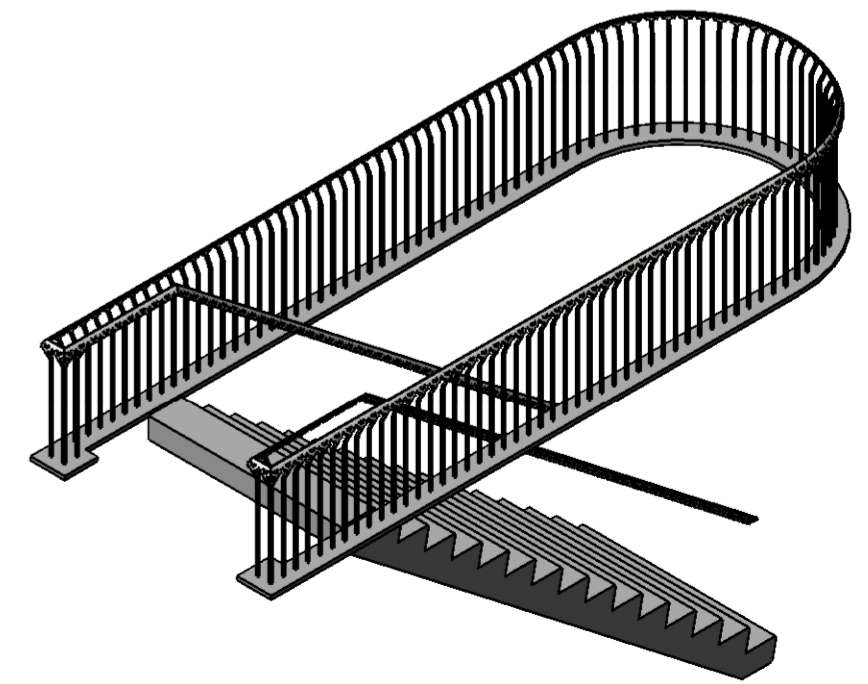
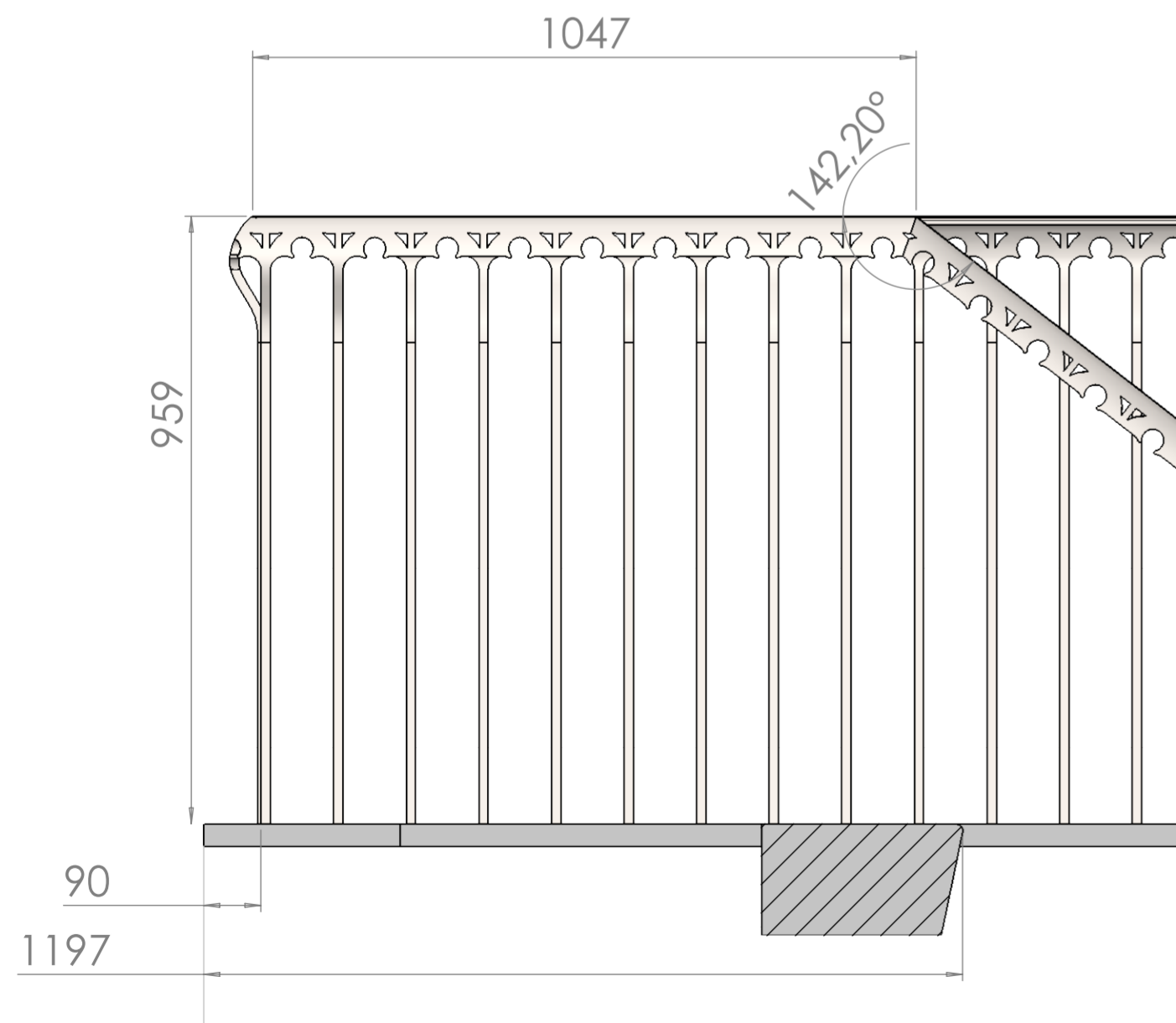
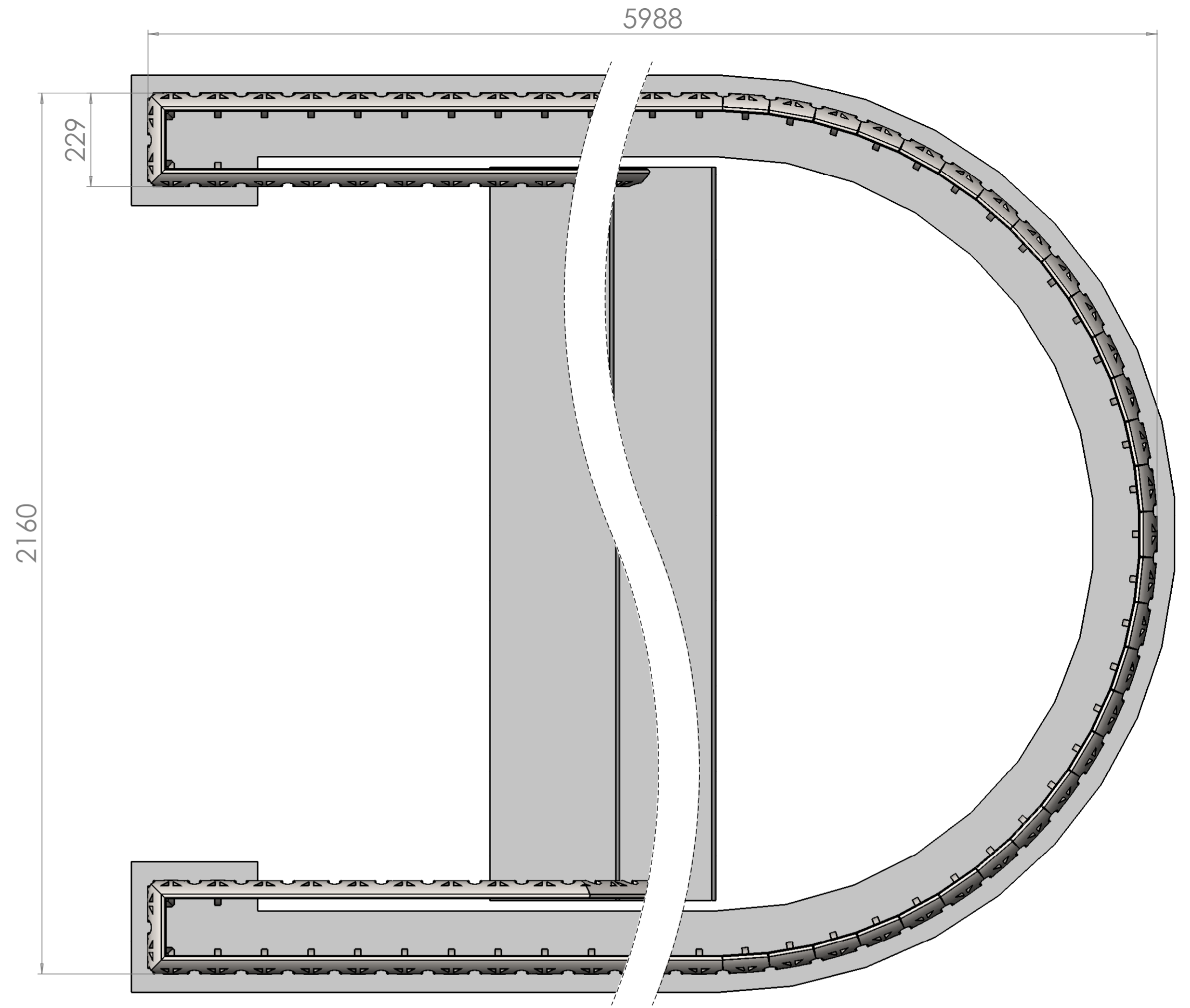
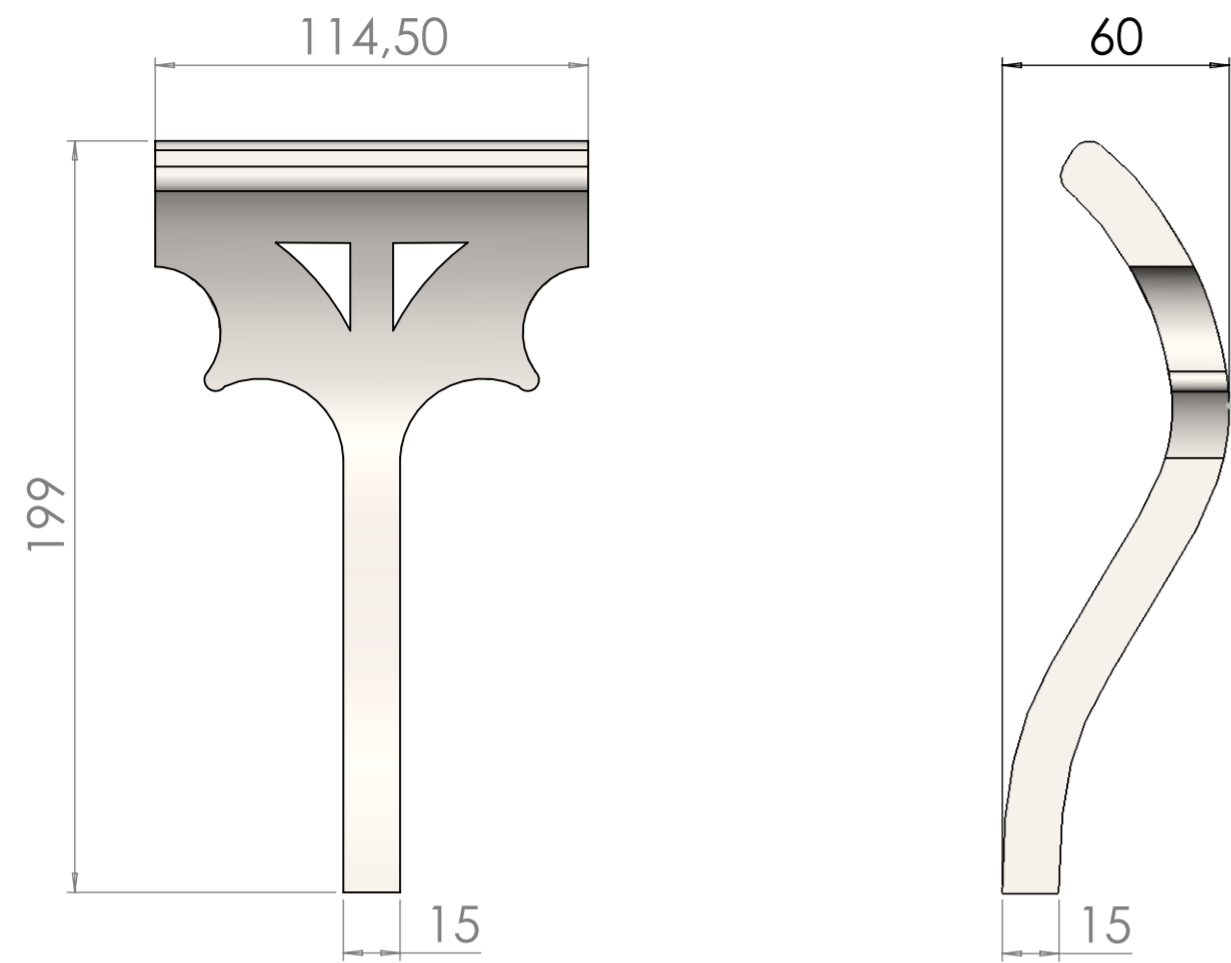
Kokke confidentional. All rights strictly reserved. Reproduction or issue to third parties is not permitted.

DETAIL A
SCALE 1 : 10

rev.	description	date	name	original	description	scale
5	none	22-AUG-19	CG		Trap uitzet	1:20
4	none					
3	none					
2	Kopbaluster	23-AUG-19	CG	ontwerp	drawing number 1099-47-2-001	rev. size C A2
1	Added dimensions	23-AUG-19	CG	Ruud-Jan Kokke		
0	original drawing	22-AUG-19	CG	www.kokke.com		
					sheet 1 of 2	



Detail view segment



Kokke confidential. All rights strictly reserved. Reproduction or issue to third parties is not permitted.

rev.	description	date	name	original	description	scale
5	none	22-AUG-19	CG		Trap uitzet . (2) drawing number 1099-47-2-001 rev. C size A2 sheet 2 of 2	1:50
4	none					
3	none					
2	Kopbaluster	23-AUG-19	CG	ontwerp		
1	Added dimensions	23-AUG-19	CG	Ruud-Jan Kokke		
0	original drawing	22-AUG-19	CG	www.kokke.com		

